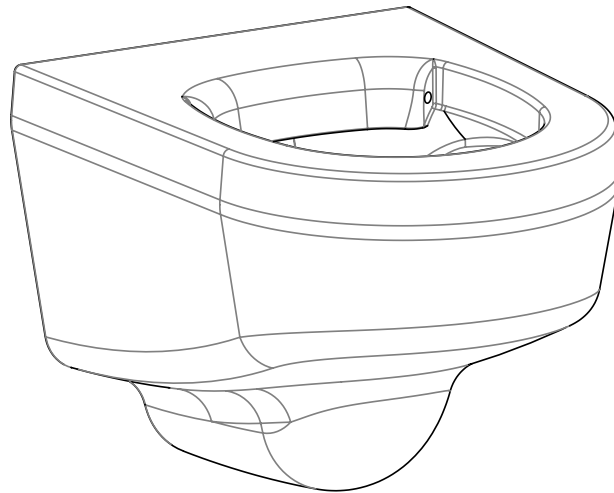


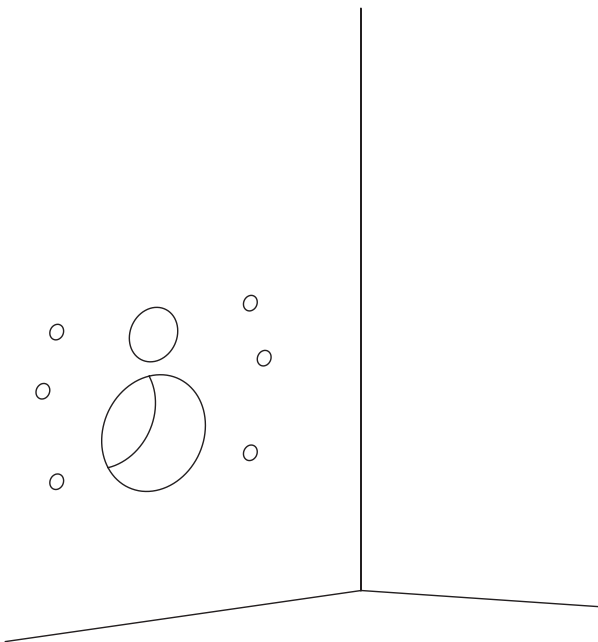
Safe Ensuite High Security Wall Hung WC Pan

Installation instructions

VR01-017

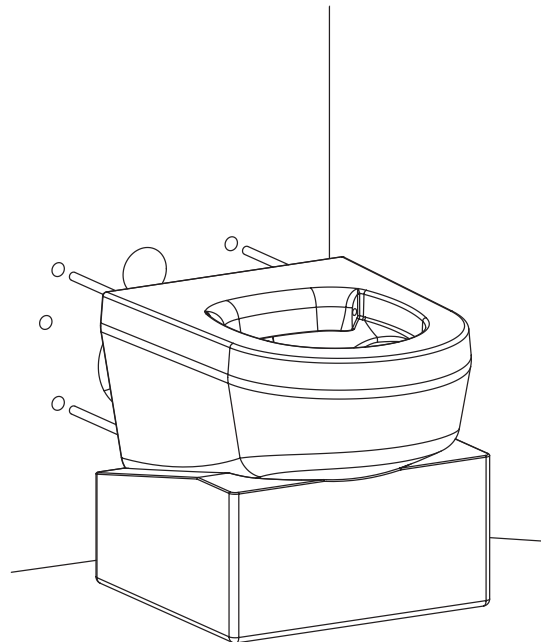


Step 1



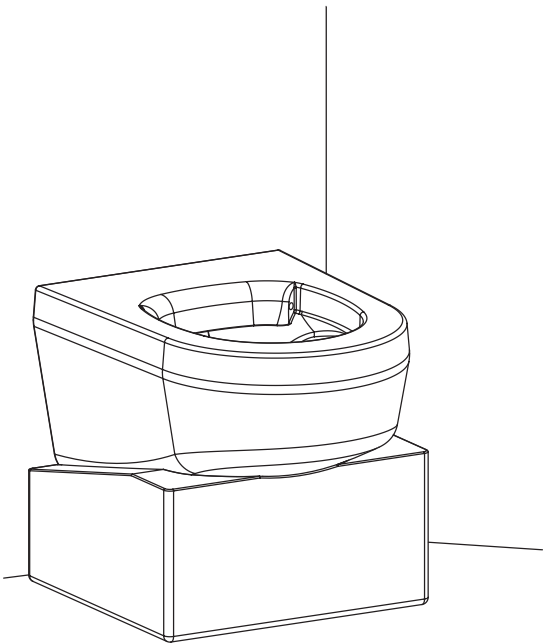
Use the drilling template provided, mark and drill holes for the inlet, waste and fixing studding. For disabled use, raise hole heights an additional 60mm.

Step 2



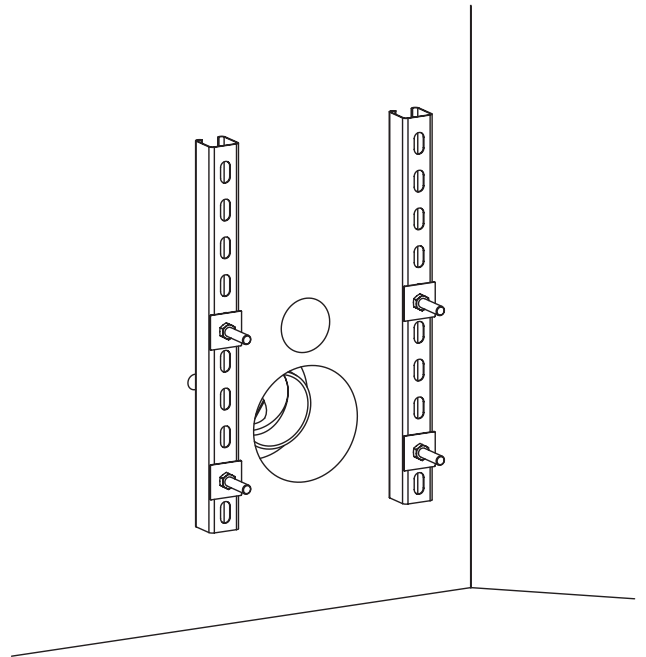
Screw the M12 studding into the back of the pan as far as possible. Make sure a flush pipe cone and outlet connector is fitted in the back of the pan. The cradle can be used to support the pan. Align the pan with fixing holes.

Step 3



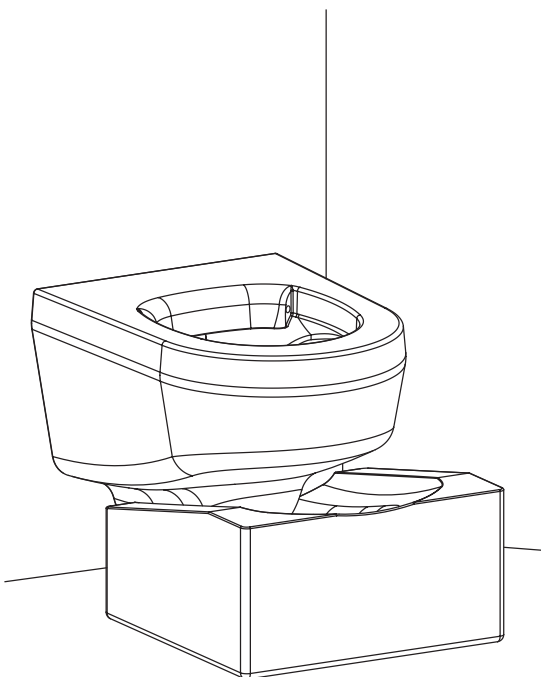
Using the cradle, slide the pan into place against the wall so all the fixing studs protrude through into the service duct.

Step 4



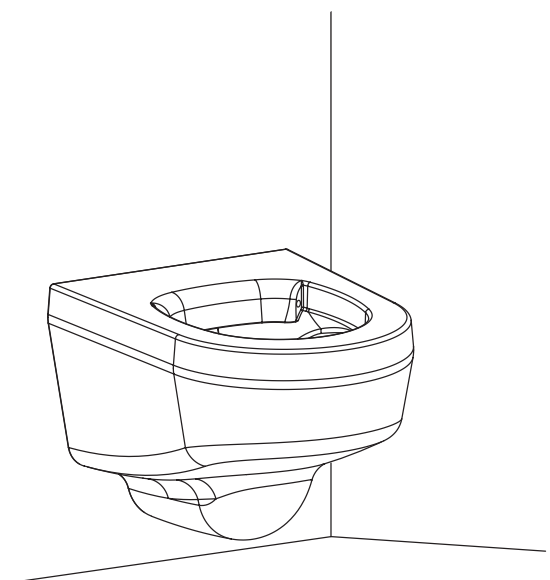
Secure the pan to the wall using the nuts and washers supplied- tighten using a torque wrench to 22-24 Nm. Connections to the WC flush pipe and soil pipes are conventional.

Step 5



Remove cradle.

Step 6



Depending on the local site requirements, anti-pick or silicone sealant can be used around the edges for finishing off.